

# PARTS LIST

## CAUTION

- The parts identified by the  $\triangle$  symbol are important for the safety. Whenever replacing these parts, be sure to use specified ones to secure the safety .
- The parts not indicated in this Parts List and those which are filled with lines — in the Parts No. columns will not be supplied.
- P. W. Board Ass'y will not be supplied, but those which are filled with the Parts No. in the Parts No. columns will be supplied.

### ABBREVIATIONS OF RESISTORS, CAPACITORS AND TOLERANCES

RESISTORS		CAPACITORS	
C R	Carbon Resistor	C CAP.	Ceramic Capacitor
F R	Fusible Resistor	E CAP.	Electrolytic Capacitor
P R	Plate Resistor	M CAP.	Mylar Capacitor
V R	Variable Resistor	HV CAP.	High Voltage Capacitor
HV R	High Voltage Resistor	MF CAP.	Metalized Film Capacitor
MF R	Metal Film Resistor	MM CAP.	Metalized Mylar Capacitor
MG R	Metal Glazed Resistor	MP CAP.	Metalized Polystyrol Capacitor
MP R	Metal Plate Resistor	PP CAP.	Polypropylene Capacitor
OM R	Metal Oxide Film Resistor	PS CAP.	Polystyrol Capacitor
CMF R	Coating Metal Film Resistor	TF CAP.	Thin Film Capacitor
UNF R	Non-Flammable Resistor	MPP CAP.	Metalized Polypropylene Capacitor
CH V R	Chip Variable Resistor	TAN. CAP.	Tantalum Capacitor
CH MG R	Chip Metal Glazed Resistor	CH C CAP.	Chip Ceramic Capacitor
COMP. R	Composition Resistor	BP E CAP.	Bi-Polar Electrolytic Capacitor
LPTC R	Linear Positive Temperature Coefficient Resistor	CH AL E CAP.	Chip Aluminum Electrolytic Capacitor
		CH AL BP CAP.	Chip Aluminum Bi-Polar Capacitor
		CH TAN. E CAP.	Chip Tantalum Electrolytic Capacitor
		CH AL BP E CAP.	Chip Tantalum Bi-Polar Electrolytic Capacitor

TOLERANCES									
F	G	J	K	M	N	R	H	Z	P
±1%	±2%	±5%	±10%	±20%	±30%	+30% -10%	+50% -10%	+80% -20%	+100% -0%

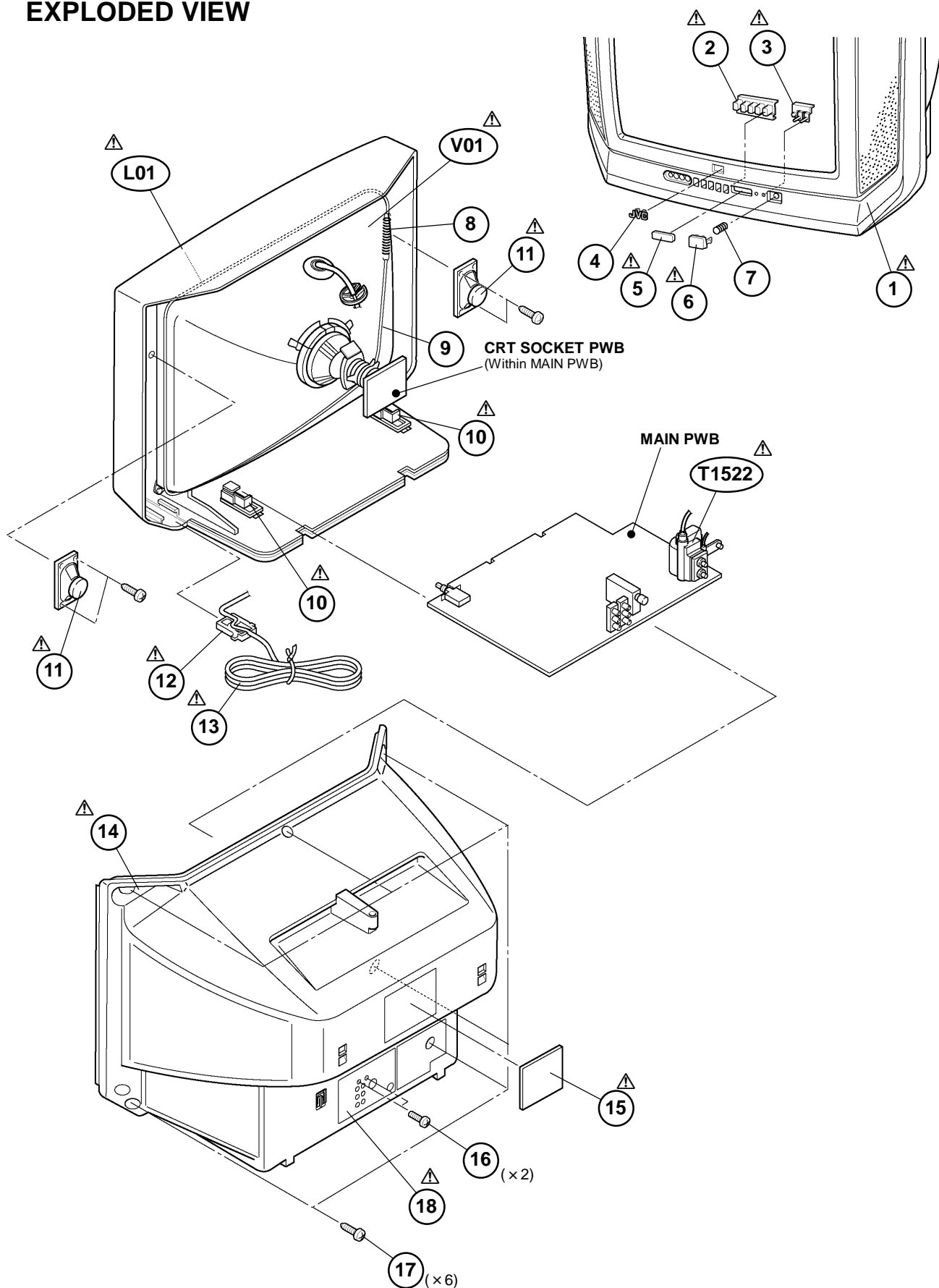
## CONTENTS

- EXPLODED VIEW PARTS LIST ..... 30
- EXPLODED VIEW ..... 31
- PRINTED WIRING BOARD PARTS LIST
  - MAIN PW BOARD ASS'Y (SGA-1019A-R2) (With CRT SOCKET PW BOARD) ..... 32
- PACKING / PACKING PARTS LIST ..... 36
- REMOTE CONTROL UNIT PARTS LIST ..... 36

## EXPLODED VIEW PARTS LIST

△ Ref.No.	Part No.	Part Name	Description
△ V01	A51LEC065X43	PICTURE TUBE(C)	Inc.DY, PC MAGNET, WEDGE
△ L01	QQW0006-001	DEG.COIL	
△ T1522	QQH0030-002	H.V.TRANSF.	
△ 1	LC10394-034A-HK	FRONT CABINET	
△ 2	LC20292-004A-H	CONTROL KNOB	
△ 3	LC30618-001A-H	L.E.D.LENS	
△ 4	CM48006-007-C	JVC MARK	
△ 5	LC30617-001C-H	E.E. WINDOW	
△ 6	LC30616-004A-H	POWER KNOB	
7	CM30861-084	SPRING	
8	A48457-4-S	SPRING	
9	CHGB0016-0B-GS	BRAIDED WIRE	
△ 10	CM36623-B01-H	CHASSIS RAIL	(×2)
△ 11	QAS0037-001	SPEAKER	(×2)SP01-02
△ 12	CM47005-A01-H	POWER CORD CLAMP	
△ 13	QMPR150-200-JC	POWER CORD	
△ 14	LC10448-003A-HK	REAR COVER	
△ 15	LC30462-007A-D	RATING LABEL	
16	QYSBSF3010Z	TAPPING SCREW	(×2)
17	QYSBSFG4016Z	TAPPING SCREW	(×6)
△ 18	LC30819-001A	TERMINAL SHEET	

# EXPLODED VIEW



# PRINTED WIRING BOARD PARTS LIST

## MAIN P.W. BOARD ASS'Y (SGA-1019A-R2)

△ Symbol No.	Part No.	Part Name	Description
<b>RESISTOR</b>			
R1001	NRSA02J-563X	MG R	56kΩ 1/10W J
R1003-04	NRSA02J-0R0X	MG R	0.0Ω 1/10W J
R1005	QRT029J-4R7	MF R	4.7Ω 2W J
R1006	NRSA02J-820X	MG R	82Ω 1/10W J
R1101	NRSA02J-562X	MG R	5.6kΩ 1/10W J
R1102	NRSA02J-182X	MG R	1.8kΩ 1/10W J
R1103	QRE121J-101Y	C R	100Ω 1/2W J
R1104	NRSA02J-100X	MG R	10Ω 1/10W J
R1105	NRSA02J-270X	MG R	27Ω 1/10W J
R1111	NRSA02J-394X	MG R	390kΩ 1/10W J
R1112	NRSA02J-334X	MG R	330kΩ 1/10W J
R1113	NRSA02J-101X	MG R	100Ω 1/10W J
R1116	NRSA02J-151X	MG R	150Ω 1/10W J
R1131	NRSA02J-102X	MG R	1kΩ 1/10W J
R1132	NRSA02J-331X	MG R	330Ω 1/10W J
R1133	NRSA02J-102X	MG R	1kΩ 1/10W J
R1134	NRSA02J-271X	MG R	270Ω 1/10W J
R1135	NRSA02J-471X	MG R	470Ω 1/10W J
R1161	NRSA02J-332X	MG R	3.3kΩ 1/10W J
R1162	NRSA02J-0R0X	MG R	0.0Ω 1/10W J
R1163	NRSA02J-103X	MG R	10kΩ 1/10W J
R1164	NRSA02J-102X	MG R	1kΩ 1/10W J
R1165	NRSA02J-273X	MG R	27kΩ 1/10W J
R1166	NRSA02J-103X	MG R	10kΩ 1/10W J
R1167	NRSA02J-102X	MG R	1kΩ 1/10W J
R1168	NRSA02J-101X	MG R	100Ω 1/10W J
R1169	NRSA02J-561X	MG R	560Ω 1/10W J
R1170	NRSA02J-123X	MG R	12kΩ 1/10W J
R1171	NRSA02J-153X	MG R	15kΩ 1/10W J
R1201	NRSA02J-821X	MG R	820Ω 1/10W J
R1202	NRSA02J-102X	MG R	1kΩ 1/10W J
R1203	NRSA02J-821X	MG R	820Ω 1/10W J
R1204	NRSA02J-681X	MG R	680Ω 1/10W J
R1205	NRSA02J-152X	MG R	1.5kΩ 1/10W J
R1213	NRSA02J-391X	MG R	390Ω 1/10W J
R1215	NRSA02J-824X	MG R	820kΩ 1/10W J
R1216	NRSA02J-0R0X	MG R	0.0Ω 1/10W J
R1217	NRSA02J-684X	MG R	680kΩ 1/10W J
R1220	NRSA02J-0R0X	MG R	0.0Ω 1/10W J
R1251-52	NRSA02J-750X	MG R	75Ω 1/10W J
R1253	NRSA02J-680X	MG R	68Ω 1/10W J
R1254	QRE121J-101Y	C R	100Ω 1/2W J
R1255	NRSA02J-101X	MG R	100Ω 1/10W J
R1301	NRSA02J-102X	MG R	1kΩ 1/10W J
R1303	NRSA02J-223X	MG R	22kΩ 1/10W J
R1304	NRSA02J-223X	MG R	22kΩ 1/10W J
R1307	NRSA02J-103X	MG R	10kΩ 1/10W J
R1308	NRSA02J-472X	MG R	4.7kΩ 1/10W J
R1309	NRSA02J-103X	MG R	10kΩ 1/10W J
R1311	NRSA02J-273X	MG R	27kΩ 1/10W J
R1312	NRSA02J-0R0X	MG R	0.0Ω 1/10W J
R1314	NRSA02J-0R0X	MG R	0.0Ω 1/10W J
R1341	NRSA02J-121X	MG R	120Ω 1/10W J
R1342-43	NRSA02J-333X	MG R	33kΩ 1/10W J
R1351-53	NRSA02J-151X	MG R	150Ω 1/10W J
R1354-56	NRSA02J-331X	MG R	330Ω 1/10W J
R1357-59	NRSA02J-101X	MG R	100Ω 1/10W J
R1360-62	QRZ0107-152Z	C R	1.5kΩ 1/2W K
R1363-65	QRL029J-123	OM R	12kΩ 2W J
R1366-68	NRSA02J-272X	MG R	2.7kΩ 1/10W J
R1401	NRSA02J-103X	MG R	10kΩ 1/10W J
R1402	NRSA02J-682X	MG R	6.8kΩ 1/10W J
R1403	NRSA02J-0R0X	MG R	0.0Ω 1/10W J
R1404	NRSA02J-102X	MG R	1kΩ 1/10W J
R1405	NRSA02J-221X	MG R	220Ω 1/10W J
R1406-08	NRSA02J-472X	MG R	4.7kΩ 1/10W J
R1410	NRSA02J-0R0X	MG R	0.0Ω 1/10W J
R1413	QRE121J-391Y	C R	390Ω 1/2W J

△ Symbol No.	Part No.	Part Name	Description
<b>RESISTOR</b>			
R1414	QRX01GJ-1R2	MF R	1.2Ω 1W J
R1416	NRSA02J-563X	MG R	56kΩ 1/10W J
R1418	NRSA02J-563X	MG R	56kΩ 1/10W J
R1419	NRSA02J-223X	MG R	22kΩ 1/10W J
R1421-22	NRSA02J-0R0X	MG R	0.0Ω 1/10W J
R1423	NRSA02J-103X	MG R	10kΩ 1/10W J
R1501	NRSA02J-0R0X	MG R	0.0Ω 1/10W J
R1503	NRSA02J-103X	MG R	10kΩ 1/10W J
R1504	NRSA02J-104X	MG R	100kΩ 1/10W J
R1505	NRSA02J-822X	MG R	8.2kΩ 1/10W J
R1506	NRSA02J-102X	MG R	1kΩ 1/10W J
R1510	NRSA02J-0R0X	MG R	0.0Ω 1/10W J
R1512	NRSA02J-103X	MG R	10kΩ 1/10W J
R1513	NRSA02J-0R0X	MG R	0.0Ω 1/10W J
R1514	NRSA02J-333X	MG R	33kΩ 1/10W J
R1521	QRL039J-562	OM R	5.6kΩ 3W J
R1523	NRSA02J-222X	MG R	2.2kΩ 1/10W J
R1524	QRE121J-103Y	C R	10kΩ 1/2W J
R1526	QRL029J-152	OM R	1.5kΩ 2W J
R1529	NRSA02J-621X	MG R	620Ω 1/10W J
R1532	QRL039J-472	OM R	4.7kΩ 3W J
R1533	QRE121J-220Y	C R	22Ω 1/2W J
R1543	QRT039J-R47	MF R	0.47Ω 3W J
R1544	QRL039J-223	OM R	22kΩ 3W J
△ R1562	QRA14CF-6801Y	MF R	6.8kΩ 1/4W F
△ R1563	QRA14CF-3741Y	MF R	3.74kΩ 1/4W F
R1581	QRE121J-273Y	C R	27kΩ 1/2W J
R1582	QRE121J-393Y	C R	39kΩ 1/2W J
R1584	QRE121J-223Y	C R	22kΩ 1/2W J
R1603	NRSA02J-682X	MG R	6.8kΩ 1/10W J
R1605	NRSA02J-391X	MG R	390Ω 1/10W J
R1607	NRSA02J-682X	MG R	6.8kΩ 1/10W J
R1609	NRSA02J-391X	MG R	390Ω 1/10W J
R1611	NRSA02J-223X	MG R	22kΩ 1/10W J
R1613	NRSA02J-333X	MG R	33kΩ 1/10W J
R1620	NRSA02J-183X	MG R	18kΩ 1/10W J
R1622	NRSA02J-183X	MG R	18kΩ 1/10W J
R1626	NRSA02J-153X	MG R	15kΩ 1/10W J
R1627	NRSA02J-104X	MG R	100kΩ 1/10W J
R1628	NRSA02J-153X	MG R	15kΩ 1/10W J
R1629	NRSA02J-104X	MG R	100kΩ 1/10W J
R1631	NRSA02J-473X	MG R	47kΩ 1/10W J
R1635-36	QRE121J-271Y	C R	270Ω 1/2W J
R1651	NRSA02J-102X	MG R	1kΩ 1/10W J
R1652	NRSA02J-392X	MG R	3.9kΩ 1/10W J
R1653	NRSA02J-152X	MG R	1.5kΩ 1/10W J
R1654	NRSA02J-333X	MG R	33kΩ 1/10W J
R1655	NRSA02J-332X	MG R	3.3kΩ 1/10W J
R1656	NRVA02D-152X	MF R	1.5kΩ 1/10W D
R1658	NRVA02D-153X	MF R	15kΩ 1/10W D
R1660	NRSA02J-512X	MG R	5.1kΩ 1/10W J
R1669-70	NRSA02J-471X	MG R	470Ω 1/10W J
R1671	NRSA02J-102X	MG R	1kΩ 1/10W J
R1672	NRSA02J-102X	MG R	1kΩ 1/10W J
R1673-74	NRSA02J-823X	MG R	82kΩ 1/10W J
R1675-76	NRSA02J-181X	MG R	180Ω 1/10W J
R1677	NRSA02J-103X	MG R	10kΩ 1/10W J
R1678	NRSA02J-223X	MG R	22kΩ 1/10W J
R1679	NRSA02J-223X	MG R	22kΩ 1/10W J
R1680	NRSA02J-223X	MG R	22kΩ 1/10W J
R1681	NRSA02J-223X	MG R	22kΩ 1/10W J
R1682	NRSA02J-683X	MG R	68kΩ 1/10W J
R1685	NRSA02J-102X	MG R	1kΩ 1/10W J
R1686	NRSA02J-102X	MG R	1kΩ 1/10W J
R1687	NRSA02J-102X	MG R	1kΩ 1/10W J
R1688	NRSA02J-102X	MG R	1kΩ 1/10W J
R1691	NRSA02J-102X	MG R	1kΩ 1/10W J
R1692	NRSA02J-102X	MG R	1kΩ 1/10W J

Symbol No.	Part No.	Part Name	Description
<b>RESISTOR</b>			
R1701	NRSA02J-563X	MG R	56kΩ 1/10W J
R1702	NRSA02J-223X	MG R	22kΩ 1/10W J
R1703	NRSA02J-0R0X	MG R	0.0Ω 1/10W J
R1704	NRSA02J-103X	MG R	10kΩ 1/10W J
R1705	NRSA02J-102X	MG R	1kΩ 1/10W J
R1706	NRSA02J-823X	MG R	82kΩ 1/10W J
R1707	NRSA02J-103X	MG R	10kΩ 1/10W J
R1708	NRSA02J-0R0X	MG R	0.0Ω 1/10W J
R1709	NRSA02J-103X	MG R	10kΩ 1/10W J
R1710	NRSA02J-102X	MG R	1kΩ 1/10W J
R1711	NRSA02J-103X	MG R	10kΩ 1/10W J
R1712	NRSA02J-0R0X	MG R	0.0Ω 1/10W J
R1713	NRSA02J-103X	MG R	10kΩ 1/10W J
R1714	NRSA02J-0R0X	MG R	0.0Ω 1/10W J
R1715	NRSA02J-472X	MG R	4.7kΩ 1/10W J
R1716	NRSA02J-0R0X	MG R	0.0Ω 1/10W J
R1717	NRSA02J-472X	MG R	4.7kΩ 1/10W J
R1718	NRSA02J-0R0X	MG R	0.0Ω 1/10W J
R1719	NRSA02J-473X	MG R	47kΩ 1/10W J
R1720	NRSA02J-683X	MG R	68kΩ 1/10W J
R1721	NRSA02J-473X	MG R	47kΩ 1/10W J
R1725	NRSA02J-102X	MG R	1kΩ 1/10W J
R1726	NRSA02J-0R0X	MG R	0.0Ω 1/10W J
R1727	NRSA02J-103X	MG R	10kΩ 1/10W J
R1728	NRSA02J-102X	MG R	1kΩ 1/10W J
R1729	NRSA02J-105X	MG R	1MΩ 1/10W J
R1732	NRSA02J-102X	MG R	1kΩ 1/10W J
R1733	NRSA02J-333X	MG R	33kΩ 1/10W J
R1734	NRSA02J-102X	MG R	1kΩ 1/10W J
R1735	NRSA02J-102X	MG R	1kΩ 1/10W J
R1736	NRSA02J-124X	MG R	120kΩ 1/10W J
R1737	NRSA02J-184X	MG R	180kΩ 1/10W J
R1738	NRSA02J-102X	MG R	1kΩ 1/10W J
R1739	NRSA02J-102X	MG R	1kΩ 1/10W J
R1740	NRSA02J-472X	MG R	4.7kΩ 1/10W J
R1741	NRSA02J-102X	MG R	1kΩ 1/10W J
R1742	NRSA02J-472X	MG R	4.7kΩ 1/10W J
R1743	NRSA02J-223X	MG R	22kΩ 1/10W J
R1744	NRSA02J-103X	MG R	10kΩ 1/10W J
R1745	NRSA02J-153X	MG R	15kΩ 1/10W J
R1746	NRSA02J-103X	MG R	10kΩ 1/10W J
R1747	NRSA02J-153X	MG R	15kΩ 1/10W J
R1748	NRSA02J-103X	MG R	10kΩ 1/10W J
R1749	NRSA02J-153X	MG R	15kΩ 1/10W J
R1750-51	NRSA02J-561X	MG R	560Ω 1/10W J
R1752-53	NRSA02J-103X	MG R	10kΩ 1/10W J
R1754	NRSA02J-562X	MG R	5.6kΩ 1/10W J
R1755-56	NRSA02J-103X	MG R	10kΩ 1/10W J
R1757	NRSA02J-562X	MG R	5.6kΩ 1/10W J
R1758	NRSA02J-223X	MG R	22kΩ 1/10W J
R1759	NRSA02J-103X	MG R	10kΩ 1/10W J
R1765	NRSA02J-122X	MG R	1.2kΩ 1/10W J
R1766	NRSA02J-102X	MG R	1kΩ 1/10W J
R1771-72	NRSA02J-221X	MG R	220Ω 1/10W J
R1781-82	NRSA02J-681X	MG R	680Ω 1/10W J
R1783-84	NRSA02J-221X	MG R	220Ω 1/10W J
R1801-03	NRSA02J-221X	MG R	220Ω 1/10W J
R1811-13	NRSA02J-0R0X	MG R	0.0Ω 1/10W J
R1815	NRSA02J-0R0X	MG R	0.0Ω 1/10W J
R1816	NRSA02J-103X	MG R	10kΩ 1/10W J
R1901	QRF104K-3R9	UNF R	3.9Ω 10W K
R1902	QRL039J-393	OM R	39kΩ 3W J
R1910	QRE121J-564Y	C R	560kΩ 1/2W J
R1911	QRE121J-183Y	C R	18kΩ 1/2W J
R1921	QRE121J-681Y	C R	680Ω 1/2W J
R1922	QRMO59J-R22	MP R	0.22Ω 5W J
R1923	QRT029J-R39	MF R	0.39Ω 2W J
R1924	QRE121J-103Y	C R	10kΩ 1/2W J
R1925	QRE121J-102Y	C R	1kΩ 1/2W J
R1926	QRE121J-152Y	C R	1.5kΩ 1/2W J
R1929	QRE121J-332Y	C R	3.3kΩ 1/2W J

Symbol No.	Part No.	Part Name	Description
<b>RESISTOR</b>			
R1932	QRE121J-4R7Y	C R	4.7Ω 1/2W J
R1942	NRSA02J-223X	MG R	22kΩ 1/10W J
R1943	QRE121J-152Y	C R	1.5kΩ 1/2W J
R1944	NRSA02J-103X	MG R	10kΩ 1/10W J
R1945	NRSA02J-332X	MG R	3.3kΩ 1/10W J
R1946	NRSA02J-123X	MG R	12kΩ 1/10W J
R1947	QRE121J-470Y	C R	47Ω 1/2W J
R1948	NRSA02J-152X	MG R	1.5kΩ 1/10W J
R1949	NRSA02J-153X	MG R	15kΩ 1/10W J
R1950	NRSA02J-103X	MG R	10kΩ 1/10W J
R1951	NRSA02J-332X	MG R	3.3kΩ 1/10W J
R1952	NRSA02J-472X	MG R	4.7kΩ 1/10W J
R1959	NRSA02J-0R0X	MG R	0.0Ω 1/10W J
R1961-62	QRT029J-1R8	MF R	1.8Ω 2W J
R1964	QRE121J-272Y	C R	2.7kΩ 1/2W J
R1965	QRE121J-473Y	C R	47kΩ 1/2W J
R1966	NRSA02J-223X	MG R	22kΩ 1/10W J
R1967	QRG01GJ-681	OM R	680Ω 1W J
R1981	QRZ0057-825	C R	8.2MΩ 1W J
<b>CAPACITOR</b>			
C1001	QETN1HM-106Z	E CAP.	10μF 50V M
C1007	QETN1CM-477Z	E CAP.	470μF 16V M
C1008-09	QETN1CM-107Z	E CAP.	100μF 16V M
C1011	NCB21HK-103X	C CAP.	0.01μF 50V K
C1101-02	NCB21HK-103X	C CAP.	0.01μF 50V K
C1103	NDC21HJ-680X	C CAP.	680pF 50V J
C1104-05	NCB21HK-103X	C CAP.	0.01μF 50V K
C1111	QETN1EM-476Z	E CAP.	47μF 25V M
C1112-14	NCB21HK-103X	C CAP.	0.01μF 50V K
C1116	QFV71HJ-224Z	MF CAP.	0.22μF 50V J
C1117	QETN1EM-476Z	E CAP.	47μF 25V M
C1118	NCB21HK-103X	C CAP.	0.01μF 50V K
C1119	NDC21HJ-681X	C CAP.	680pF 50V J
C1120	QETN1HM-225Z	E CAP.	2.2μF 50V M
C1123-24	NCB21HK-103X	C CAP.	0.01μF 50V K
C1161	QETN1HM-106Z	E CAP.	10μF 50V M
C1163-64	NDC21HJ-470X	C CAP.	470pF 50V J
C1165-66	NCB21HK-103X	C CAP.	0.01μF 50V K
C1202	QETN1CM-107Z	E CAP.	100μF 16V M
C1207	NCB21HK-104X	CHIP CAP.	0.1μF 50V K
C1208	QETN1HM-475Z	E CAP.	4.7μF 50V M
C1209	QETN1CM-227Z	E CAP.	220μF 16V M
C1210	NCB21HK-103X	C CAP.	0.01μF 50V K
C1211	NDC21HJ-681X	C CAP.	680pF 50V J
C1212	NCB21HK-104X	CHIP CAP.	0.1μF 50V K
C1213	QETN1HM-105Z	E CAP.	1μF 50V M
C1214	NCB21HK-104X	CHIP CAP.	0.1μF 50V K
C1215	QETN1HM-106Z	E CAP.	10μF 50V M
C1251	QENC1HM-106Z	BP E CAP.	10μF 50V M
C1252	QETN1HM-106Z	E CAP.	10μF 50V M
C1254	QETN1CM-477Z	E CAP.	470μF 16V M
C1255	QETN1HM-106Z	E CAP.	10μF 50V M
C1256	QETN1CM-227Z	E CAP.	220μF 16V M
C1291-92	QETN1CM-107Z	E CAP.	100μF 16V M
C1294	QETN1CM-107Z	E CAP.	100μF 16V M
C1296	QETN1CM-107Z	E CAP.	100μF 16V M
C1301-02	NDC21HJ-150X	C CAP.	150pF 50V J
C1303	NDC21HJ-120X	C CAP.	120pF 50V J
C1304	NCB21HK-103X	C CAP.	0.01μF 50V K
C1305	NDC21HJ-120X	C CAP.	120pF 50V J
C1306	QETN1EM-476Z	E CAP.	47μF 25V M
C1307	NCB21HK-103X	C CAP.	0.01μF 50V K
C1308-09	NCB21HK-104X	CHIP CAP.	0.1μF 50V K
C1311	QFV71HJ-334Z	MF CAP.	0.33μF 50V J
C1312	NCB21HK-103X	C CAP.	0.01μF 50V K
C1313	QETN1HM-475Z	E CAP.	4.7μF 50V M
C1342	QETN1HM-335Z	E CAP.	3.3μF 50V M
C1354-55	NDC21HJ-271X	C CAP.	270pF 50V J
C1356	NDC21HJ-331X	C CAP.	330pF 50V J

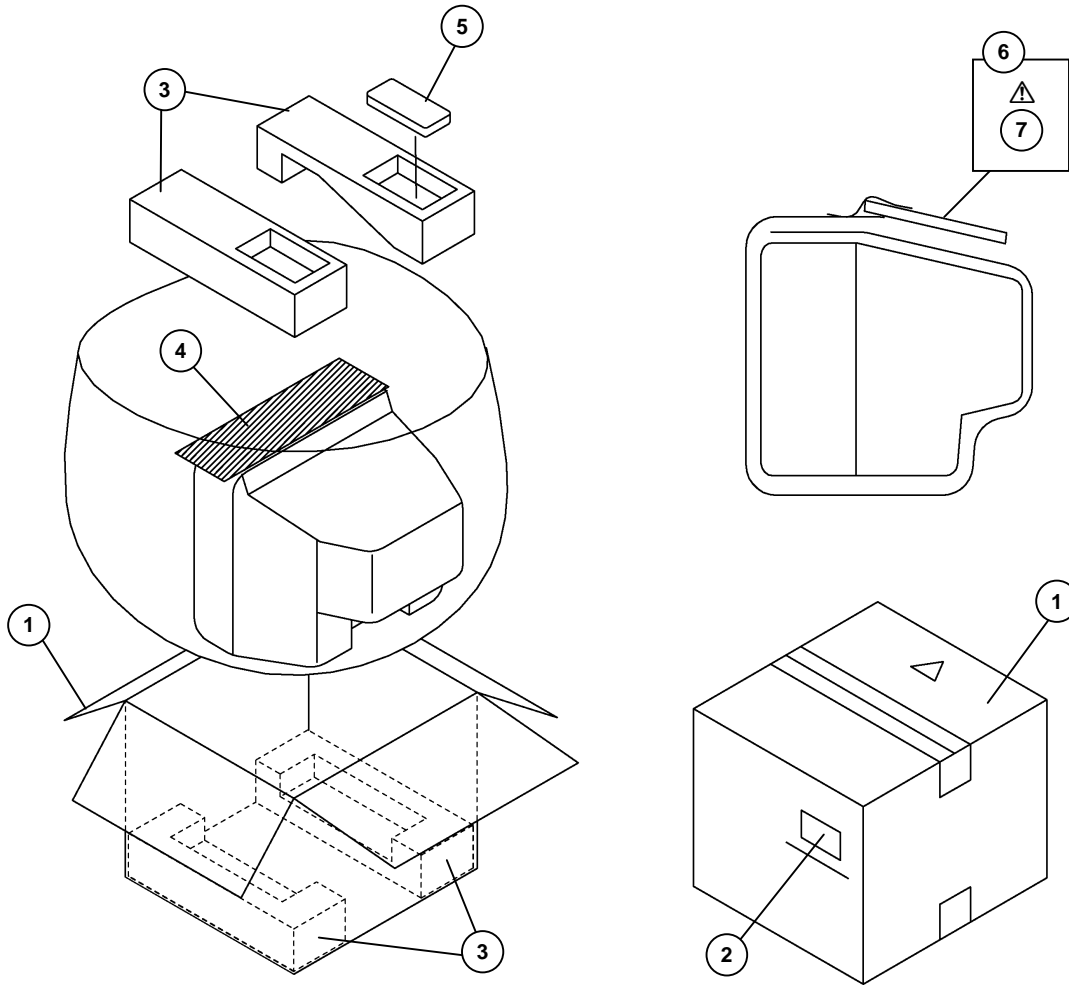
△ Symbol No.	Part No.	Part Name	Description
<b>CAPACITOR</b>			
C1357	QETN1CM-107Z	E CAP.	100uF 16V M
△ C1382	QCZ0121-102	C CAP.	1000pF 3kV Z
C1401-02	QETN1HM-105Z	E CAP.	1uF 50V M
C1403	QEM61EK-225Z	E CAP.	2.2uF 25V K
C1405	QFV71HJ-104Z	MF CAP.	0.1uF 50V J
C1406	QFN31HJ-472Z	M CAP.	4700pF 50V J
C1410	QETN1VM-107Z	E CAP.	100uF 35V M
C1411	QETN1VM-477Z	E CAP.	470uF 35V M
C1412	QFLB2AK-154	M CAP.	0.15uF 100V K
C1413	QETN1EM-108Z	E CAP.	1000pF 25V M
C1414	QETN1HM-105Z	E CAP.	1uF 50V M
C1415	QFN31HJ-152Z	M CAP.	1500pF 50V J
C1416	NDC21HJ-681X	C CAP.	680pF 50V J
C1501	QETN1CM-107Z	E CAP.	100uF 16V M
C1503	NCB21HK-103X	C CAP.	0.01uF 50V K
C1505-06	NCB21HK-103X	C CAP.	0.01uF 50V K
C1507	QETN1HM-105Z	E CAP.	1uF 50V M
C1511	QETN1HM-106Z	E CAP.	10uF 50V M
C1521	QCB32HK-151Z	C CAP.	150pF 500V K
C1522	QCB32HK-331Z	C CAP.	330pF 500V K
C1523	QETN2CM-105Z	E CAP.	1uF 160V M
△ C1524	QFZ0198-782	MPP CAP.	7800pF 1.5kVH±3%
△ C1525	QFZ0119-434	MPP CAP.	0.43uF 200V ±3%
△ C1526	QEZO203-476	E CAP.	47uF 160V M
C1541	QETN2EM-106Z	E CAP.	10uF 250V M
C1543	QETN1VM-477Z	E CAP.	470uF 35V M
C1546-47	QETN1CM-227Z	E CAP.	220uF 16V M
C1561	QETN1VM-107Z	E CAP.	100uF 35V M
C1581	QFLC1HJ-473Z	M CAP.	0.047uF 50V J
C1583	QFV71HJ-104Z	MF CAP.	0.1uF 50V J
C1584	QFLC2AJ-103Z	M CAP.	0.01uF 100V J
C1603	NRSA02J-0R0X	MG R	0.0Ω 1/10W J
C1604	QENC1HM-474Z	BP E CAP.	0.47uF 50V M
C1606	NRSA02J-0R0X	MG R	0.0Ω 1/10W J
C1607	QENC1HM-474Z	BP E CAP.	0.47uF 50V M
C1609	QETN1CM-107Z	E CAP.	100uF 16V M
C1613	QETN1CM-108Z	E CAP.	1000uF 16V M
C1615	QETN1CM-477Z	E CAP.	470uF 16V M
C1617	QETN1CM-477Z	E CAP.	470uF 16V M
C1622	QETN1HM-105Z	E CAP.	1uF 50V M
C1623-24	QENC1HM-474Z	BP E CAP.	0.47uF 50V M
C1631	QETN1EM-477Z	E CAP.	470uF 25V M
C1637-38	NCB21HK-332X	C CAP.	3300pF 50V K
C1651	NCB21HK-103X	C CAP.	0.01uF 50V K
C1652	QETN1CM-107Z	E CAP.	100uF 16V M
C1653	QETN1EM-476Z	E CAP.	47uF 25V M
C1654	NCB21HK-104X	CHIP CAP.	0.1uF 50V K
C1655	QENC1HM-475Z	BP E CAP.	4.7uF 50V M
C1656	QENC1HM-105Z	BP E CAP.	1uF 50V M
C1657	QETN1HM-225Z	E CAP.	2.2uF 50V M
C1658	NCB21HK-473X	C CAP.	0.047uF 50V K
C1659	QETN1HM-474Z	E CAP.	0.47uF 50V M
C1660-61	NCB21HK-104X	CHIP CAP.	0.1uF 50V K
C1662	QBTC1CK-335Z	TAN. CAP.	3.3uF 16V K
C1663	QETN1HM-105Z	E CAP.	1uF 50V M
C1664	QBTC1CK-106Z	TAN. CAP.	10uF 16V K
C1665-66	QETN1HM-105Z	E CAP.	1uF 50V M
C1667	QETN1HM-336Z	E CAP.	33uF 50V M
C1668	QETN1HM-105Z	E CAP.	1uF 50V M
C1671	QETN1HM-225Z	E CAP.	2.2uF 50V M
C1672	NCB21HK-222X	C CAP.	2200pF 50V K
C1673	NCB21HK-104X	CHIP CAP.	0.1uF 50V K
C1674	QETN1HM-225Z	E CAP.	2.2uF 50V M
C1675	NCB21HK-222X	C CAP.	2200pF 50V K
C1676	NCB21HK-104X	CHIP CAP.	0.1uF 50V K
C1677	NCB21HK-223X	C CAP.	0.022uF 50V K
C1679	QETN1HM-105Z	E CAP.	1uF 50V M
C1682-83	QETN1HM-475Z	E CAP.	4.7uF 50V M
C1684-86	QETN1HM-106Z	E CAP.	10uF 50V M
C1691-92	QETN1HM-106Z	E CAP.	10uF 50V M
C1693-94	NCB21HK-332X	C CAP.	3300pF 50V K
C1701	NRSA02J-0R0X	MG R	0.0Ω 1/10W J

△ Symbol No.	Part No.	Part Name	Description
<b>CAPACITOR</b>			
C1703	NRSA02J-0R0X	MG R	0.0Ω 1/10W J
C1704	NCB21HK-102X	C CAP.	1000pF 50V K
C1706	QETN1AM-227Z	E CAP.	220uF 10V M
C1707	NCB21HK-103X	C CAP.	0.01uF 50V K
C1708	QETN1HM-106Z	E CAP.	10uF 50V M
C1711	NDC21HJ-151X	C CAP.	150pF 50V J
C1712	NCB21HK-104X	CHIP CAP.	0.1uF 50V K
C1713	QETN1HM-105Z	E CAP.	1uF 50V M
C1714	NDC21HJ-221X	C CAP.	220pF 50V J
C1715	NCB21HK-102X	C CAP.	1000pF 50V K
C1716	QENC1HM-474Z	BP E CAP.	0.47uF 50V M
C1717	NDC21HJ-180X	C CAP.	180pF 50V J
C1718	NDC21HJ-220X	C CAP.	220pF 50V J
C1719	QETN1CM-107Z	E CAP.	100uF 16V M
C1720	NCB21HK-104X	CHIP CAP.	0.1uF 50V K
C1723	NDC21HJ-151X	C CAP.	150pF 50V J
C1724	QETN1HM-105Z	E CAP.	1uF 50V M
C1725	NDC21HJ-151X	C CAP.	150pF 50V J
C1727	NCB21HK-103X	C CAP.	0.01uF 50V K
C1733	QETN1EM-476Z	E CAP.	47uF 25V M
C1734	NCB21HK-104X	CHIP CAP.	0.1uF 50V K
C1735	NCB21HK-103X	C CAP.	0.01uF 50V K
C1736	QETN1CM-107Z	E CAP.	100uF 16V M
C1738	QETN1EM-476Z	E CAP.	47uF 25V M
C1742	QETN1HM-225Z	E CAP.	2.2uF 50V M
C1765	NDC21HJ-101X	C CAP.	100pF 50V J
C1771	QETN1EM-476Z	E CAP.	47uF 25V M
C1772	NCB21HK-103X	C CAP.	0.01uF 50V K
C1805	QETN1CM-227Z	E CAP.	220uF 16V M
C1806	NCB21HK-103X	C CAP.	0.01uF 50V K
C1811-13	NCB21HK-103X	C CAP.	0.01uF 50V K
△ C1901	QFZ9040-104	MF CAP.	0.1uF AC275V M
△ C1902	QFZ9040-104	MF CAP.	0.1uF AC275V M
△ C1903	QCZ9078-472	C CAP.	4700pFAC250V M
△ C1904	QCZ9078-472	C CAP.	4700pFAC250V M
△ C1905	QCZ9078-472	C CAP.	4700pFAC250V M
△ C1906	QEZ0199-127	E CAP.	120uF 400V M
C1921	QCZ0325-102	C CAP.	1000pF 2kV K
C1922	QCS31HJ-471Z	C CAP.	470pF 50V J
C1924	QETN1VM-107Z	E CAP.	100uF 35V M
C1925	QFN31HJ-102Z	M CAP.	1000pF 50V J
C1926	QFN31HJ-182Z	M CAP.	1800pF 50V J
C1928	QFV71HJ-104Z	MF CAP.	0.1uF 50V J
C1931	QCZ0122-391	C CAP.	390pF 2kV K
C1941	QCZ0122-471	C CAP.	470pF 2kV K
△ C1942	QEZO203-107	E CAP.	100uF 160V M
C1943	QCB32HK-471Z	C CAP.	470pF 500V K
C1944	QETN1EM-108Z	E CAP.	1000uF 25V M
C1945	QETN1EM-227Z	E CAP.	220uF 25V M
C1946	QETN1EM-107Z	E CAP.	100uF 25V M
C1947	QETN1HM-106Z	E CAP.	10uF 50V M
C1952	QETN1EM-108Z	E CAP.	1000uF 25V M
C1953	QCZ0122-471	C CAP.	470pF 2kV K
C1957	NDC21HJ-471X	C CAP.	470pF 50V J
C1961	QETN1CM-107Z	E CAP.	100uF 16V M
C1962	QETN1EM-476Z	E CAP.	47uF 25V M
△ C1981	QCZ9079-471	C CAP.	470pFAC250V K
△ C1982	QCZ9079-102	C CAP.	1000pFAC250V M
△ C1983	QCZ9079-471	C CAP.	470pFAC250V K
C1984	QETN1VM-337Z	E CAP.	330uF 35V M
<b>TRANSFORMER</b>			
T1111	CELT001-209J3	C. WAVE TRANSF.	
T1521	CE42034-001	H. DRIVE TRANSF.	
△ T1522	QQH0030-002	H. V. TRANSF.	
△ T1921	CETS109-001JK	SWITCH. TRANSF.	
<b>COIL</b>			
L1001	QQL03BJ-150Z	COIL	15uH J
L1003	QQL03BJ-4R7Z	COIL	4.7uH J
L1101	QQLZ014-R22	PEAKING COIL	
L1131	QQL03BJ-150Z	COIL	15uH J

△ Symbol No.	Part No.	Part Name	Description
<b>COIL</b>			
L1161	QQL03BJ-220Z	COIL	22μH J
L1205	QQL03BJ-4R7Z	COIL	4.7μH J
L1301	QQL03BJ-390Z	COIL	39μH J
L1381	QQL03BJ-390Z	COIL	39μH J
L1501	QQL03BJ-4R7Z	COIL	4.7μH J
L1701-02	QQL03BJ-4R7Z	COIL	4.7μH J
L1708	QQL03BJ-560Z	COIL	56μH J
L1771	QQL03BJ-4R7Z	COIL	4.7μH J
L1941-42	QQL26AK-820Z	COIL	82μH K
<b>DIODE</b>			
D1001	MTZJ33A-T2	ZENER DIODE	
D1201	1SS133-T2	SI. DIODE	
D1202	MTZJ7.5B-T2	ZENER DIODE	
D1251	MTZJ9.1C-T2	ZENER DIODE	
D1253-56	MTZJ5.6A-T2	ZENER DIODE	
D1257	MTZJ9.1C-T2	ZENER DIODE	
D1341	1SS133-T2	SI. DIODE	
D1401	1N4003-T2	SI. DIODE	
D1402	MTZJ75-T2	ZENER DIODE	
D1510	1SS133-T2	SI. DIODE	
D1541	RH15-T3	SI. DIODE	
D1542	RGP10J-5025-T3	SI. DIODE	
D1543	RGP10J-5025-T3	SI. DIODE	
D1544	RH15-T3	SI. DIODE	
D1561	1SS81-T2	SI. DIODE	
△ D1562	MTZJ7.55-T2	ZENER DIODE	
D1581	RGP10J-5025-T3	SI. DIODE	
D1582	MTZJ9.1B-T2	ZENER DIODE	
D1631	1SS133-T2	SI. DIODE	
D1632	1SS133-T2	SI. DIODE	
D1633	1SS133-T2	SI. DIODE	
D1634	1SS133-T2	SI. DIODE	
D1656-57	MTZJ9.1C-T2	ZENER DIODE	
D1691-92	MTZJ9.1C-T2	ZENER DIODE	
D1701	1SS133-T2	SI. DIODE	
D1702	1SS133-T2	SI. DIODE	
D1704	1SS133-T2	SI. DIODE	
D1705	MTZJ5.6A-T2	ZENER DIODE	
D1706	SLR-342VR-T16	L. E. D.	
D1707	SLR-342DU-T16	L. E. D. (ORG)	
D1771-72	MTZJ6.2B-T2	ZENER DIODE	
D1801-03	MTZJ15B-T2	ZENER DIODE	
△ D1805	MTZJ15B-T2	ZENER DIODE	
△ D1901	D2SBA60	BRIDGE DIODE	
D1903	RGP10J-5025-T3	SI. DIODE	
D1905	MTZJ6.8A-T2	ZENER DIODE	
D1921	RGP10J-5025-T3	SI. DIODE	
D1922	RGP10J-5025-T3	SI. DIODE	
D1923	MTZJ15A-T2	ZENER DIODE	
D1924	1SS133-T2	SI. DIODE	
D1927	1SS133-T2	SI. DIODE	
D1928	1SS133-T2	SI. DIODE	
D1929	MTZJ15A-T2	ZENER DIODE	
D1941	RU3AM-LFC4	SI. DIODE	
D1942	RGP10J-5025-T3	SI. DIODE	
D1943	1SS133-T2	SI. DIODE	
D1945	MTZJ5.6B-T2	ZENER DIODE	
D1948	RGP10J-5025-T3	SI. DIODE	
D1961	MTZJ7.55-T2	ZENER DIODE	
D1962	1SS133-T2	SI. DIODE	
<b>TRANSISTOR</b>			
Q1101	2SC5083/L-P/-T	SI. TRANSISTOR	
Q1111	DTC124EKA-X	DIGI. TRANSISTOR	
Q1131	2SC2412K/QR/-X	SI. TRANSISTOR	
Q1161	2SC2412K/QR/-X	SI. TRANSISTOR	
Q1201-02	2SC2412K/QR/-X	SI. TRANSISTOR	
Q1251	2SC1740S/QR/-T	SI. TRANSISTOR	
Q1301-02	2SC2412K/QR/-X	SI. TRANSISTOR	
Q1341-42	2SC2412K/QR/-X	SI. TRANSISTOR	
Q1351-53	2SC4544-LB	SI. TRANSISTOR	
Q1401	2SC2412K/QR/-X	SI. TRANSISTOR	
Q1511	2SC2785/JH/-T	SI. TRANSISTOR	
Q1521	BSN304-T	F. E. T.	

△ Symbol No.	Part No.	Part Name	Description
<b>TRANSISTOR</b>			
△ Q1522	2SD1878-YD	SI. TRANSISTOR	H. OUT
Q1601	2SC2412K/QR/-X	SI. TRANSISTOR	
Q1603-05	DTC323TK-X	DIGI. TRANSISTOR	
Q1631	2SA1037AK/QR/-X	SI. TRANSISTOR	
Q1651-54	DTC323TK-X	DIGI. TRANSISTOR	
Q1701-02	2SC2412K/QR/-X	SI. TRANSISTOR	
Q1703	DTC124EKA-X	DIGI. TRANSISTOR	
Q1705	DTC124EKA-X	DIGI. TRANSISTOR	
Q1761	2SC2412K/QR/-X	SI. TRANSISTOR	
Q1921	2SA933AS/QR/-T	SI. TRANSISTOR	
Q1941	2SA966/OY/-T	SI. TRANSISTOR	
Q1942-44	2SC2412K/QR/-X	SI. TRANSISTOR	
Q1961	2SA949/Y/Z1-T	SI. TRANSISTOR	
<b>IC</b>			
IC1001	AN78L05-T	I. C. (MONO-ANA)	
IC1101	M52342SP	I. C. (MONO-ANA)	
IC1201	TB1230AN	I. C. (DIGI-OTHER)	
IC1251	BA7612N	I. C. (MONO-ANA)	
IC1291	AN78N05	I. C. (M)	
IC1292	AN78L09-T	I. C. (MONO-ANA)	
IC1293	KIA78L05BP-T	I. C. (MONO-ANA)	
△ IC1401	LA7840	I. C. (MONO-ANA)	
IC1541	AN7809F	I. C. (MONO-ANA)	
△ IC1601	LA4485	I. C. (MONO-ANA)	
IC1651	UPC1851BCU	I. C. (MONO-ANA)	
IC1701	M37272MA-320SP	I. C. (MICRO-COMP)	
IC1702	L78LR05E-MA	I. C. (MONO-ANA)	
IC1703	GP1U281Q	IFR DETECT UNIT	
IC1704	AT24C02T2122AR	I. C.	(SERVICE)
△ IC1921	STR-F6654	I. C. (HYBRID)	
△ IC1941	SE135N	I. C. (HYBRID)	
<b>OTHERS</b>			
CF1001	LC30114-001C-H	L. E. D. HOLDER	
CF1131	FTP47.25MF	CERAMIC FILTER	
CF1161	QAX0339-001	CERAMIC FILTER	
△ CP1941	SF5H4.5MCB	CERAMIC FILTER	
△ CP1942	ICP-N75-Y	I. C. PROTECT	
EF1301	ICP-N50-Y	I. C. PROTECT	
△ F1901	CE42142-222Z	EMI FILTER	
△ F1901	QMF51E2-3R15J4	FUSE	3.15A
△ FC1901	CEMG002-001Z	FUSE CLIP	
△ FC1902	CEMG002-001Z	FUSE CLIP	
△ FR1542	QRZ9023-1R0	F R	1.0 Ω 2W J
△ FR1561	QRZ9017-4R7	F R	4.7 Ω 1/4W J
△ FR1585	QRZ9021-1R5	F R	1.5 Ω 1W J
△ FR1586	QRE121J-332Y	C R	3.3kΩ 1/2W J
△ FR1621	QRZ9023-1R5	F R	1.5 Ω 2W J
△ FR1720	QRZ9017-270	F R	27 Ω 1/4W J
J1001-02	QNN0349-001	PIN JACK	
J1003	CEMN065-001	PIN JACK	
J1004	CEMN065-002	PIN JACK	
J1005	CEMN072-003	PIN JACK	
J1006	QNS0155-001	JACK	
K1401	QQR0621-001Z	BEADS CORE	
K1921	QQR0621-001Z	BEADS CORE	
K1923	QQR0582-001Z	BEADS CORE	
K1941	QQR0621-001Z	BEADS CORE	
K1942	QQR0582-001Z	BEADS CORE	
K1943	QQR0621-001Z	BEADS CORE	
△ LF1901	QQR0673-002	LINE FILTER	
△ PC1921	TLP621(GR)-LF2	I. C. (PH. COUPLER)	
S1701	QSW0619-003Z	PUSH SWITCH	VOL+
S1702	QSW0619-003Z	PUSH SWITCH	VOL-
S1703	QSW0619-003Z	PUSH SWITCH	CH+
S1704	QSW0619-003Z	PUSH SWITCH	
S1705	QSW0619-003Z	PUSH SWITCH	CH-
△ S1901	QSP4K21-C01	PUSH SWITCH	MENU
SF1101	QAX0324-002	SAW FILTER	POWER
△ SK1351	CE42535-001J1	C. R. T. SOCKET	
△ TH1901	QAD0101-9R0	P. THERMISTOR	
△ TU1001	QAU0069-001	TUNER	
△ VA1901	ERZV10V621CS	VARIATOR	
X1301	QAX0305-001Z	CRYSTAL	
X1701	QAX0468-001Z	CRYSTAL	

## PACKING



### PACKING PARTS LIST

△ Ref.No.	Part No.	Part Name	Description
1	CP11432-009-R	PACKING CASE	
2	CM36242-011-R	POS LABEL	
3	LC10516-008A-D	CUSHION ASSY	4pcs in 1set
4	CP30899-001-R	TOP COVER	
6	CP30897-002-R	POLY BAG	
5	RM-C373-1H	REMOCON UNIT	
6	CP30897-001-R	POLY BAG	
△ 7	LCT1040-001A-D	INST BOOK	

### REMOTE CONTROL UNIT PARTS LIST (RM-C373-1H)

△ Ref.No.	Part No.	Part Name	Description
--	25-1168B	BATTERY COVER	



---

---

**Memo**

---

---

---

---

**Memo**

---

---

---

---

**Memo**

---

---